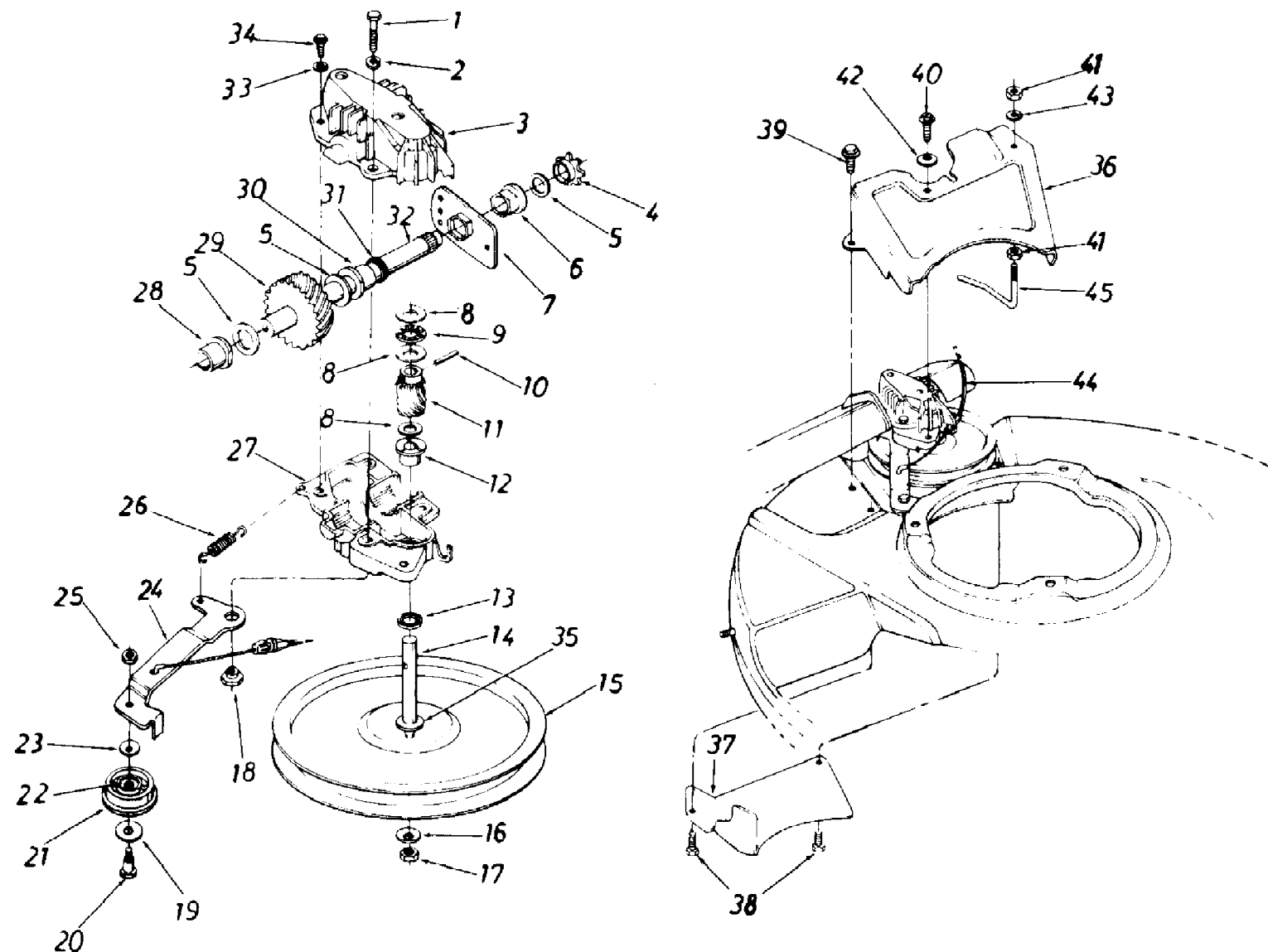


128-166B190 Lawn Boss 21 (1988)  
Drive Assembly

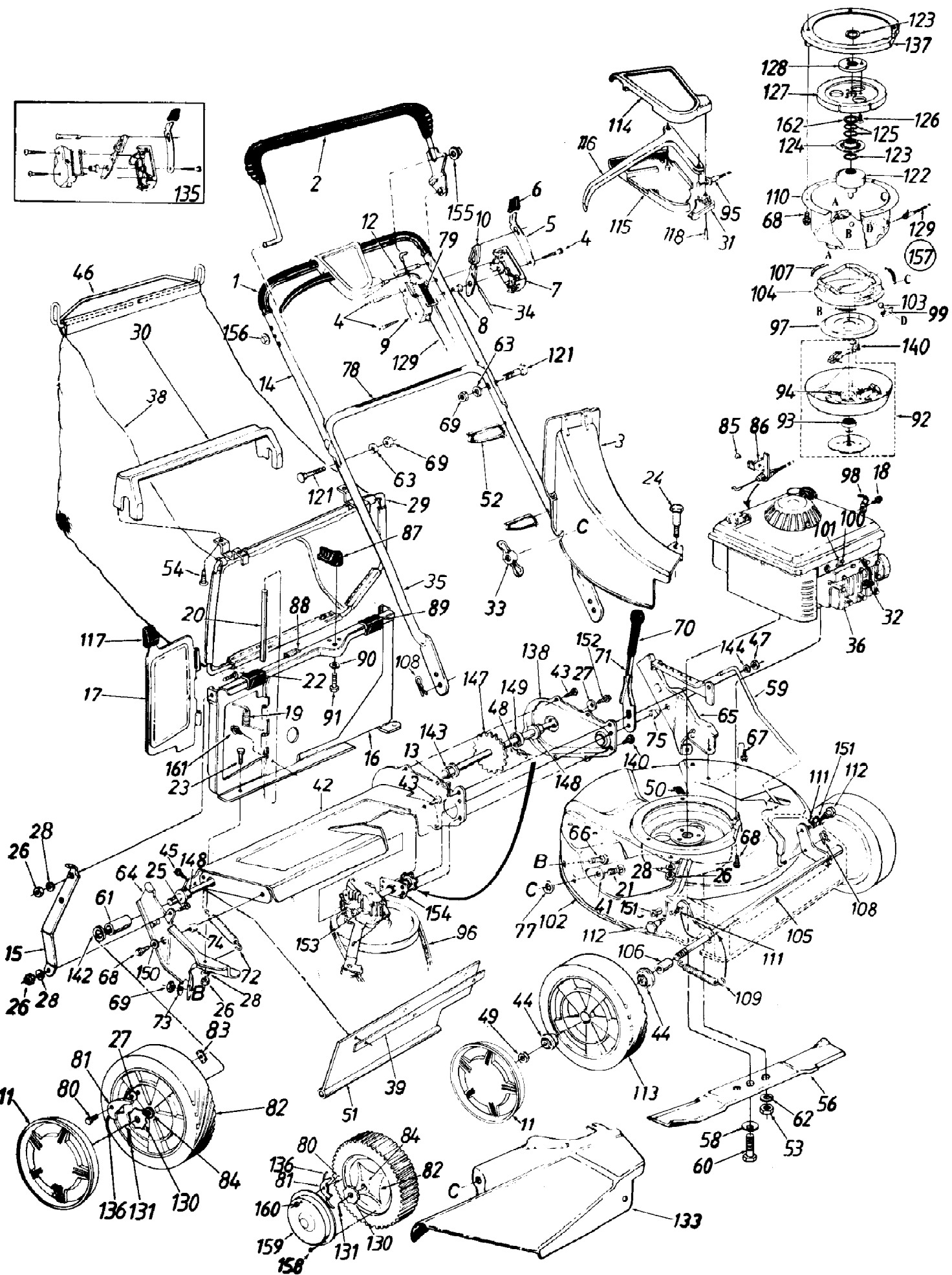
Page 1 of 6



128-166B190 Lawn Boss 21 (1988)  
Drive Assembly

Page 2 of 6

Ref #	Part Number	Qty	S/P/F	Description
1	710-0106	1	/P	Hex Bolt 1/4-20 x 1.25" Lg.
2	736-0329	1	S	L-Wash. 1/4" I.D.
3	717-0418	1	S	Upper Hsg. Half
4	713-0400	1		#48 Sprocket 7 Tooth x 1/2 Pitch
5	736-0336	1	S	FI-Wash. 5/8" I.D. x .030
6	741-0413	1	S	Hex Flange Brg. .631" I.D.
7	16500	1	S	Hex Bearing Cup
8	736-0314	1	S	Thrust Wash. .382" I.D. x .70" O.D.
9	741-0479	1		Thrust Bearing .375" I.D. x .812" O.D.
10	715-0152	1		Spring Pin Spir. 1/8" x .62" Heavy
11	717-0420	1		11 Tooth Helical Gear
12	748-0208	1	S	Flange Bearing
13	721-0212	1		Oil Seal
14	738-0708	1	S	Pulley-Transmission Shaft
15	756-0330	1	S/F	FI-Pulley 5.06" O.D.
16	736-0270	1	/P/F	Bell-Wash. .265" I.D. x .75"
17	712-0351	1	S/F	Hex L-Nut 1/4-28 Thd.
18	738-0440	1	F	Shld. Spacer .375" Dia. x .170
19	736-0344	1	S/F	FI-Wash. .390" I.D. x 1.0"
20	738-0691	1	S/F	Shld. Bolt .375" Dia. x .40"
21	756-0447	1	S/F	FI-Idler Plastic 1.50" Dia.
22	747-0482	1	F	Needle Brg. .375" x .31
23	736-0270	1	/P/F	Bell-Wash. .265" I.D. x 75"
24	17052	1	S/F	Idler Brk t. Ass'y
25	712-0138	1	S/F	Hex Patch L-Nut 1/4-28 Thd.
26	732-0357	1	S/F	Extension Spring 1.12" Lg.
27	717-0419	1	S	Lower Hsg. Half
28	741-0415	1	S	Flange Bearing .566 Dia.
29	717-0422	1	S	33 Tooth Helical Gear
30	741-0414	1		Flange Bearing .629 Dia.
31	721-0213	1	/P	Oil Seal .625 Dia.
32	738-0607	1	S	Gear Sprocket Shaft
33	736-0722	1	S	L-Wash. #10 I.D.
34	710-0436	1	S	Hex B-Tap Scr. #10 x .62"
35	736-0410	1	S/F	Hex Washer .26" x .88"
36	17058	1	S/F	Transmission Belt Guard
37	17065	1	S/F	Belt Cover
38	710-0352	1	/P/F	Hex B-Tap Scr. 1/4 x .38" Lg.
39	710-0599	1	/P	Hex AB-Tap Scr. 1/4 x .50" Lg.t
40	710-0896	1	/P	Hex B-Tap Scr. 1/4 x .62" Lg.
41	712-0287	1	S/F	Hex Nut 1/4-20 Thd.
42	736-0270	1	/P/F	Bell-Wash. .265" I.D. x .75"
43	736-0329	1	S/F	L-Wash. 1/4" kD.
44	746-0650	1	S/F	S.P. Cable-50" Lg.
45	747-0549	1	F	S.P. Belt Guard
	717-0417	1	S	Transmission Comp.



Ref #	Part Number	Qty	S/P/F	Description
1	720-0225	2	S	Foam Grip
2	16739	1		Control Handle Ass'y.-L.H.
3	731-0734	1	F	Top Discharge Chute Ass'y
4	710-0796	1	/P	Truss Mach. Scr. #12 x 1.50" Lg.
5	732-0401	1		Lockout Spring
6	720-0190	1	S	Spring Lever Knob
7	731-0817	1	S	Control Panel Half
8	731-0524	1		Control Disc Pin
9	731-0816	1		Clutch Panel Half
10	731-0528	1	S	Throttle Control Lever
11		1		** Hub Cap
	731-0124	1		Hub Caps-Front (7 x 1.75)
	731-0981	1	S	Hub Caps-Wheels (7 x 2)
	10647	1	/P	Hub Caps-Rear (8 x 1.75)
	731-0981	1	S	Hub Caps-Wheels (8 x 2)
12	731-0607	1		Lock Pin .314" Dia. x 1.75"
13	714-0507	1	S	Cotter Pin 3132" Dia. x .75"
14	749-0437	1		Upper Handle-Chrome
15	16129	1	S/F	Panel Support Brkt.
16	17196	1	F	Top Catcher Panel Ass'y.
17	17095	1	S/F	Top Discharge Door
18	710-0429	1	S	Hex B-Tap Scr. #10 x .38"
19	732-0483	1	S/F	Torsion Spring
20	747-0514	1	F	Pivot Pin
21	710-0134	1	/P	Carriage Bolt 1/4-20 x .62"
22	710-0286	1	/P/F	Truss Mach. Scr. 1/4-20 x .5" Lg.
23	710-0289	1	S/F	Hex Bolt 1/4-20 x .50" Lg.
24	738-0704	1	S	Shoulder Bolt .312 Dia. x .18 Lg. Special
25	710-0258	1	S/F	Hex Bolt 1/4-20 x .62" L9.
26	712-0287	1	S	Hex Nut 1/4-20 Thd.
27	736-0270	1	/P	Bell-Wash. 1/4" I.D.
28	736-0329	1	S	L-Wash. 1/4" I.D.
29	16702	1	F	Front Grass Catcher Frame
30	731-0801	1	/P/F	Grass Catcher Handle
31	731-0619	1		S.P. Control Cover
32	735-0639	1	/P	Spark Plug Insulator
33	712-0388	1	S	Wing Nut
34	746-0672	1	S	Throttle Control Wire 58" Lg.
35	749-0505	1	S	Lower Handle-Chrome
36		1		Engine
38	764-0212	1	F	21" Top Discharge Grass Bag-Black
39	14835	1		Retaining Strip
41	736-0204	1	/P	FI-Wash. .344" I.D. x .62"
42	17055	1	S	Chain-Axle Ass'y.
43	710-0352	1	/P	Hex B-Tap Scr. 1/4" x .38" Lg.
44		1		** Flange Ball Bearing 1/2" I.D.
	741-0180	1	S	Wheel Brgs.-(7 x 1.75, 7 x 2, 8 x 1.75)
	741-0486	1		Wheels Brgs.-Wheels (8 x 2)
45	710-0776	1	S	Hex AB-Tap Scr. 1/4 x .62"
46	747-0495	1	F	Upper Bag Handle
47	712-0296	1	S	Hex Patch L-Nut 3/8-24 Thd.
48	713-0353	1	S	#48 Chain .500" Pitch x 30 Links
49	712-0346			

Ref #	Part Number	Qty	S/P/F	Description
50	731-0564	1		Plug
51	731-0672	1	S	Rear Flap 3.75" x 17.30" Lg.
52	726-0240	1	S	Cable Tie
53	712-0328	1		Hex Nut 3/8-24 Thd. (Gr. 8)
54	710-0969	1	/P	Hex AB-Tap Scr. #12 x 1.0" Lg.
56	742-0306	1	S	21" Blade
58	736-0412	1		Bell-Wash. .46" I.D. x .88" O.D.
59	747-0510	1		Height Adj. Rod 19.42" Lg.
60	710-1002	1	/P	Hex Bolt 7/16-20 x 2.0" Lg. (Grade 5)
61	748-0190	1	/P	Spacer .513" I.D. x .703" O.D. x .69" Lg.
62	736-0169	1	S	L-Wash. 3/8" I.D.
63	736-0119	1	S	L-Wash. 5/16" I.D.
64	16136	1	S	R.H. Handle Wheel Brkt. Ass'y.
65	16137	1	S	L.H. Handle Wheel Brkt. Ass'y.
66	710-0260	1	S	Carriage Bolt 5/16-18 x .62"
67	710-0603	1	/P	Hex Wash. Hd. B-Tap Scr. 5/16-18 x .5" Lg.
68	710-1007	1	/P	Hex Wash. Hd. TT-Tap Scr. 3/8-16 x 1.5" Lg.
69	712-0267	1	S	Hex Nut 5/16-18 Thd.
70	720-0223	1		Grip
71	732-0473	1	S	Height Adj. Lever
72	732-0481	1	S	Extension Spring .50" O.D. x 3 80n Lg.
73	736-0242	1	/P	Bell-Wash. 5/16" I.D.
74	750-0526	1		Spacer .385" I.D. x .502" O.D. x .270" Lg.
75	750-0624	1		Shld. Spacer .500" Dia. x .1 00
77	726-0233	1	/P	Bolt Retainer 1/4 x .50" O.D.
78	777-5815	1		Instruction Label
79	777-5811	1		Control Label
80	738-0137	1		Shld. Scr. .342" Dia. x .268
81	748-0188	1	S	Pawl
82		1		Wheel Ass'y. Comp.
83	712-0189	1	S	Flat Weld Nut 1/4-20 Thd.
84		1		** Sleeve Bearing 1/2" I.D.
85	728-0171	1		Pop Rivet .156" Dia. x .379"
86	14924	1		Cable Bracket
87	720-0224	1	S/F	Grass Catcher Locking Knob
88	722-0134	1	F	Foam Strip 1" Lg.
89	731-0883	1	F	Panel Clip
90	736-0271	1	S/F	Spring Wash. .32" I.D.
91	710-0875	1		Hex Tap Scr. 1/4-20 x .75" Lg.
92	14300	1		Clutch Blade Housing Ass'y.
93	741-0124	1	S	Ball Brg. .669" I.D. x 1.574n
94	732-0396	1		Comp. Spring .35" O.D. x 2.0" Lg.
95	746-0650	1	S	S.P. Cable x 50" Lg.
96	754-0343	1	S	"V"-Belt
97	14304	1		Clutch Cone
98	12894	1		Casing Clamp
99	731-0520	1		Ball Block
100	710-0436	1	S	Hex B-Tap Scr. #10 x .62"
101	751-0463	1		Casing Clamp
102	17075	1		21 " Deck Ass'y.
103	741-0326	1		Steel Ball .50" Dia.
104	14305	1		Brake Cup Cone
105	10662	1		

128-166B190 Lawn Boss 21 (1988)  
Mower Assembly

Page 6 of 6

Ref #	Part Number	Qty	S/P/F	Description
106	711-0313	1	S	Sleeve .526" I.D. x .690n O.D. x .880" Lg.
107	732-0397	1		Ext. Spring 1.75" Lg.
108	714-0104	1	S	Intern. Cotter Pin 5/16" Dia.
109	732-0482	1		Extension Spring .50" O.D. x 3.20" Lg.
110	14309	1		Clutch Housing
111	736-0221	1	/P	Intern. L-Wash. 3/8 I.D.
112	738-0705	1	S	Shld. Bolt .623" Dia. x .425
113		1		Wheel Ass'y. Comp.
	734-1264	1	/P	Wheel Ass'y.-Front (7 x 1.75)
	734-1511	1	S	Wheel Ass'y.-Wheels (7 x 2)
	734-1412	1		Wheel Ass'y.-Rear (8 x 1.75)
	734-1510	1	S	Wheel Ass'y.-Wheels (8 x 2)
114	731-0617	1	S	Self-Propelled Control Cover
115	731-0618	1	S	Self-Propelled Control Cover
116	731-0620	1	S	Control Lever
117	720-0190	1	S	Door Grip
118	710-0841	1	/P	FI-"C"-Sunk Hd. Tap Scr. #10 x .75" Lg.
121	710-0671	1	S	Curved Carr. Bolt 5/16-18 x 1.38" Lg.
122	756-0504	1		Fixed Pulley Adapter
123	736-0409	1	S	Serrated Washer 1.0" I.D.
124	756-0503	1		Serrated Pulley Half
125	736-0408	1	S	Wave Washer 1.005" I.D.
126	710-0618	1		Flat HD Tap Scr. 1/4-20 x .625" Lg.
127	748-0319	1		Flywheel
128	748-0320	1		Flywheel Adapter
129	746-0406	1		Control Cable-49" Lg.
130	748-0318	1	S	Ratchet Wheel 1.62" O.D.
131	714-0115	1	S	Cotter Pin 1/8" Dia. x 1.00" Lg.
133	731-0886	1		Side Chute Deflector Ass'y.
135	753-0431	1		Kit-Control Housing Comp.
136	10622	1	S	Spring-Nylon
137	17176	1		Engine Mounting Plate Cover
138	17053	1		Chain Cover
140	710-0599	1	/P	Hex Wash. S-Tap Scr. 1/4-20 x .50" Lg.
142	736-0326	1	S	FI-Wash. .510" I.D. x 1.0" O.D.
143	741-0522	1	S	Hex Flange Brg. .506" I.D.
144	736-0300	1	S	FI-Wash. .385" I.D. x .87" O.D.
147	738-0719	1	S	Rear Shaft Ass'y. 21.94" Lg.
148	741-0324	1	S	Hex Flange Bearing .506" I.D. Plastic
149	736-0160	1	S	FI-Wash. .531" I.D. x .930" O.D.
150	736-0179	1	S	FI-Wash. .531" I.D. x 1.25" O.D.
151	741-0491	1		Flanged Nyliner Brg.
152	710-0751	1	/P	Hex Bolt 1/4-20 x .62" Lg. (Grade 5)
153	717-0417	1	S	Transmission Comp. (See Breakdown)
154	16500	1	S	Hex Bearing Cup
155	726-0245	1		Push Cap
156	726-0135	1	/P	Push Cap
157	717-0845	1		Blade Brake Clutch Ass'y. Comp.
158	710-0748	1	/P	Pan Hd. Tap Scr. #12 x .50" Lg.
159	10647	1	/P	Hub Cap
160	712-0324	1	/P	Hex Ins. L-Nut 1/4-20 Thd.
161	710-0429	1	S/F	Hex B-Tap Scr. #10 x .38"
162	736-0405			